

Performance and Technical Specs

Part Number:	4027450
Blower:	415CFM @ 0.0" WG 390 CFM @ 0.2" WG 365 CFM @ 0.4" WG
Power:	850 Watts @ 80°F and 60% RH
Supply Voltage:	115 volt – 1phase – 60 Hz
Current Draw:	6.9 AMPS
Energy Factor:	3.74 L/kWh
Operating Temp.:	45°F Min., 95°F Max.
Sized for:	3600 Sq. Ft. - Typical
Minimum Performance at 80°F and 60% RH	
Water Removal:	150 Pints/Day
Efficiency:	7.9 Pints/kWh
Air Filter:	MERV-6 (Optional MERV-11)
Size:	16" x 20" x 2"
Power Cord:	10', 110-120 VAC, Ground
Drain Connection:	3/4" Threaded MPT



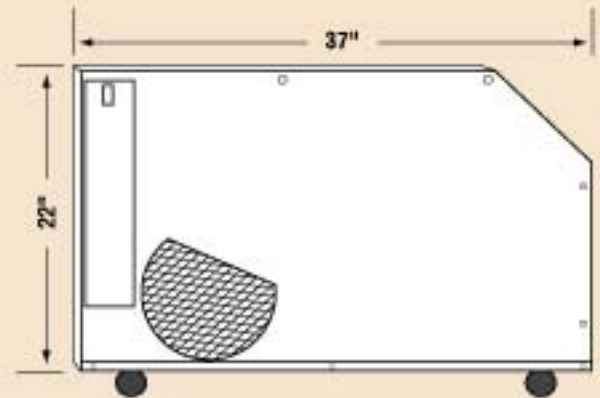
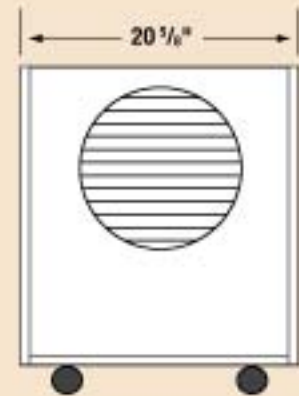
Dimensions	Unit	Shipping
Width:	37"	42"
Height:	22"	28 1/4"
Depth:	20 5/8"	24"
Weight:	134 lbs	164 lbs

OPTIONAL ACCESSORIES

4024969	Filter MERV 6 (16x20x2)
4028612	4 Pack
4028613	12 Pack
4021468	Pre-Filter
4028522	12 Pack
4021475	Filter MERV 11 (16x20x2)
4027417	4 Pack + 1 Pre-Filter
4027424	12 Pack
4028614	Pump Kit
4028616	Caster Kit
4028607	Supply Duct Kit
4026969	10" Flex Duct
4022126	10" Flex Duct (Insulated)
4027441	Register Head 10"
4028649	10" Register Grill (White)
4028610	Return Duct Kit
4024750	12" Flex Duct
4028366	12" Flex Duct (Insulated)
4028646	Register Head 12"
4028772	14" Register Grill (White)
4020175	Dehumidistat

ENVIRO

AIR QUALITY LLC



**Max Dry Dual XT
with optional condensate pump.**

