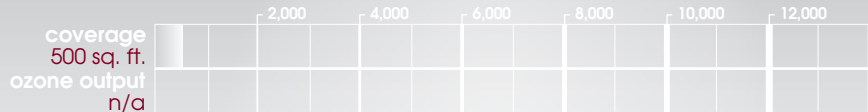




# ACTIVTEK INDUCT 500



SINGLE ROOM AIR SYSTEM

## description

- Compact, self contained, natural air treatment system
- Discreet internal mounting
- No cleaning required

## applications

- Room size “In-Wall,” P-TAC, or “Stand-Alone” Heating/AC units
- Hotel rooms
- Motel rooms
- Offices

## the technology

The activTek INDUCT 500 substantially reduces odors, visible smoke in the air, and microbial populations on **surfaces\***, utilizing the patent pending ActivePure technology. ActivePure consists of a special UV light and photocatalyst

target, creating an Advanced Oxidation Process containing several friendly oxidizers.

\*Scientific tests have demonstrated the use of activTek air purifiers substantially reduce microbial populations on **surfaces** – including but not limited to Escherichia coli, Listeria monocytogenes, Streptococcus spp., Pseudomonas aeruginosa, Bacillus spp., Staphylococcus aureus, Candida albicans, and S. chartarum. These statements have not been evaluated by FDA. These products are not intended to diagnose, treat, cure or prevent any disease.



## specifications

INDUCT 500	US40509	
electrical	12VDC Input, .8 Amps, 100 – 240 VAC, 50/60 HZ	10 Watts – Switching Power Supply
mechanical	retainer clip included	
dimensions	10.5" L x 2.25" W x 1.25" H	26cm L x 6cm W x 3cm H
weight	1 pound	.5 kilograms
hvac air blower	250 SCFM recommended air flow	

The activTek INDUCT 500 is ideally applicable to be installed inside of the ductwork of "Stand-Alone" or typical "In-Wall" air handler units.

## applications list

---

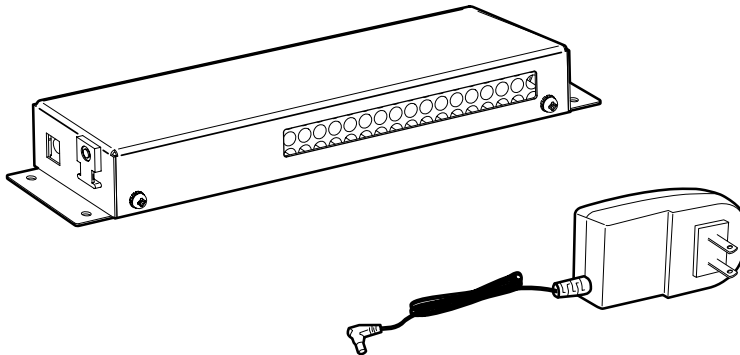
- Hotel rooms
- Motel rooms
- Cabins
- Efficiency apartments
- Nursing home rooms
- Offices

## installation details

---

The activTek INDUCT 500 is intended to be installed inside of the ductwork of a typical in-wall unit like the fan-coil unit heating/air conditioning units.

- They are to be installed in the duct after the fan.
- Recommend 250 CFM air flow for optimal use.
- Please contact your Distributor with the make and model for compatibility and specific installation instructions.



## danger!

---

DANGER: Never look directly at the unit while it is in operation. The activTek INDUCT 500 utilizes high-intensity Ultraviolet light which can cause damage to your eyes. Always install the activTek INDUCT 500 at least 24" back from the opening. Shield the unit

as necessary to prevent direct line-of-sight vision of the unit. Always use approved safety equipment when working near UV light.

Distributed By:

